

ALUMIL M50 Energy

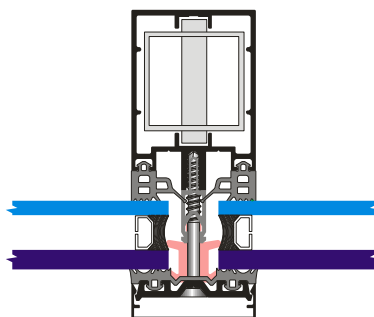
Classic curtain wall system 50mm with the same profile for columns and traverses

M50 is a classic curtain wall system with the same profile for columns and traverses and width 50mm. The use of one profile for columns and traverses makes the M50 a low cost system and increases the level of thermal brake.

M50 is designed for fast and simple construction and placing.

Basic Characteristics:

- Same profile for columns and traverses
- Coplanar appearance inside
- Straight traverse cutting
- Cores by industrial steel profiles
- Increased thermal-brake up to $U_f = 1,03W/m^2K$
- Ability for Standard and Structural type constructions



Recently, M50 was tested by the highly acclaimed Ift ROSENHEIM. Specifically the conclusions from these tests are based to EN 13830:

- M50 can be produced with the use of voutil tape
- Wind resistance AE
- Water tightness static pressure R7
- Security tests
- Crash tests I5, E5

TECHNICAL SPECIFICATION OF PROFILES	
Aluminium alloy	AlMgSi (EN AW 6060)
Hardness	12 Webster ή 70 HB minimum
Minimum Powder Coating Thickness	75µm minimum
Profile Thickness (min-max)	1,8 – 5,0 mm
Profile Geometry Control	EN DIN 12020-2

TECHNICAL SPECIFICATIONS OF SYSTEM TYPOLOGIES	
Width for basic frame/sash	50 mm
Maximum inertia propensity	Up to 443,10 cm ⁴
Glazing supported	Single, double or triple up to 42 mm
Sealing	EPDM gaskets, applied in 2 levels

Certifications:

- M50 is certified for air permeability, water tightness static pressure and wind resistance test from Ift ROSENHEIM
- The design, the production process and the quality control of all profiles produced by ALUMIL are certified with ISO 9001.
- The process of electrostatic powder coating is certified by QUALICOAT and RAL (GSB) in all plants operated by ALUMIL.